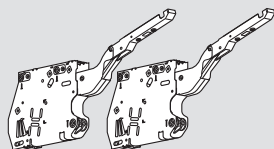


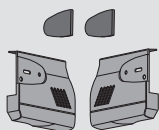
**Lift mechanism set**



- Lift mechanism (qty 2)
- #7 x 35 mm (1-3/8") wood screw (qty 10)

Power factor	Opening angle	Part no.
43 — 99	107°	20K2300.N5
100 — 174	107°	20K2500.N5
175 — 349	107°	20K2700.N5
350 — 792	100°	20K2900.N5

**Cover set**

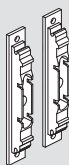


- Right and left cover plate
- Non-handed cover cap (qty 2)

Cover set	Part no.
Cover set	20K8000.NA

**Wood or wide alum door hardware set**

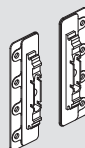
- Arm assembly mounting plate (qty 2)



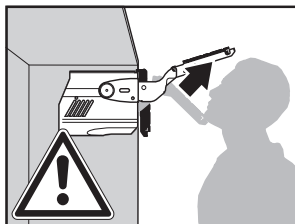
Hardware set	20S4200
Inst. screw for wood doors	606N or 606P
Inst. screw for wide alum doors	7072A

**Mounting plate with bracket set**

- Left and right mounting plate with bracket
- For large overlay five-piece doors



Mounting plate w/ bracket set	Part no.
Mounting plate w/ bracket set	20S4F01

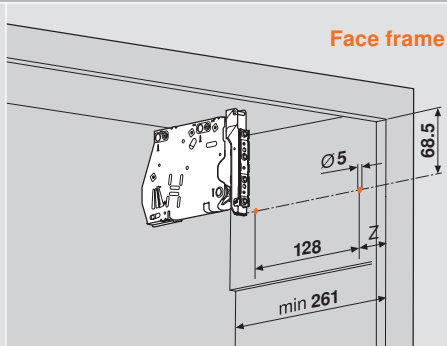
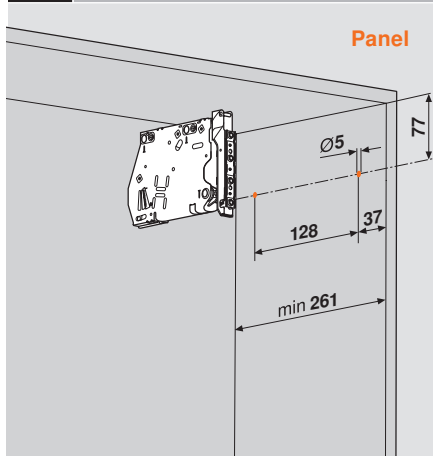


# WARNING

Risk of injury from spring-loaded arm

- Do not push arm assembly down or leave in the down position
- Remove mechanism before installing or removing cabinet

## 1 Locating pin locations and minimum depth



**NOTE:** Face frame cabinets must be blocked out flush with the frame.

Overlay	up to 28	32	35
Z	37	35	33

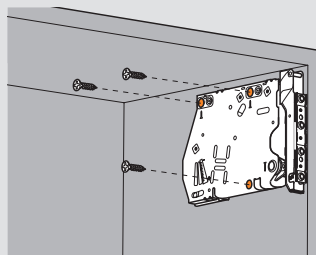
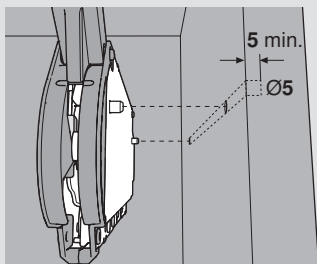
Part no.

Universal individual template is available for pre-boring locating pins

65.1051.02

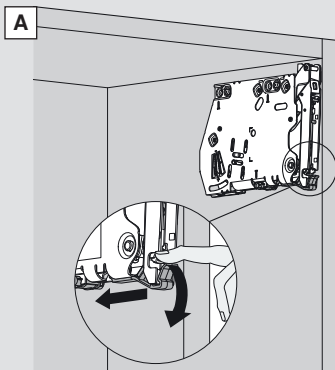
## 2 Attaching the lift mechanism

Align the lift mechanism in the cabinet using the 5 mm locator pins and attach the mechanism with the three wood screws provided.

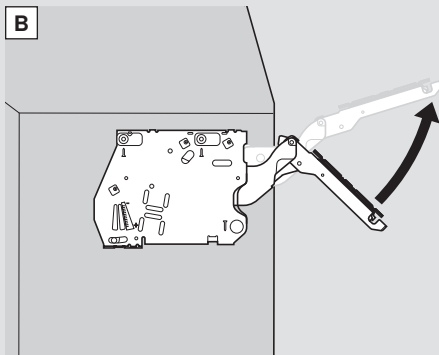


#7 x 35 mm (1-3/8") wood screws (qty 3)

### 3 Remove transport tab from lift mechanism and raise arms



Carefully remove the transport tab.



Raise the arm to the upright position.



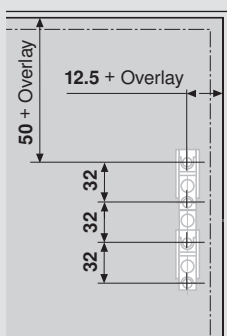
Risk of injury from spring loaded arm.

**NOTE:** Do not remove transport tab until just before attaching the door

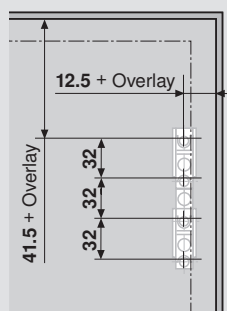
### Attaching the mounting plates

#### 4a For Wood/wide aluminum doors

Panel

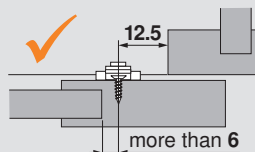


Face frame

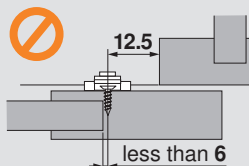


**NOTE:** All four screws must be installed

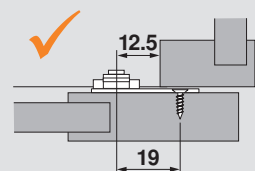
#### 4b With bracket for five-piece doors



Standard mounting plate works



Standard mounting plate does not work



Use mounting plate with bracket when panel is < 6 mm from screw

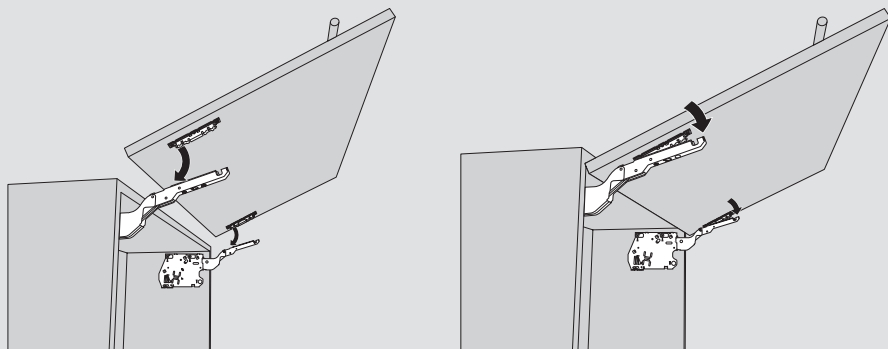
Part no.

Mounting plate w/ bracket set

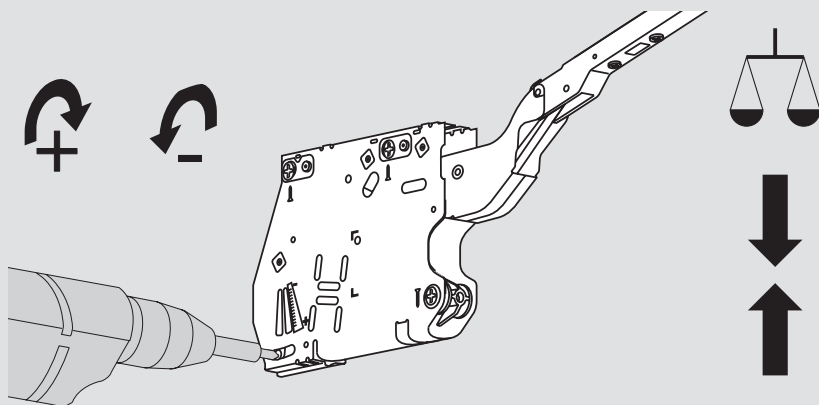
**20S4F01**

**5 Attaching the door**

Attach the door using the CLIP mechanism in the mounting plate.

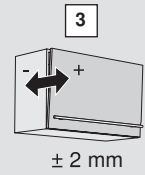
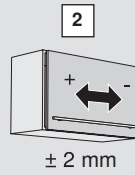
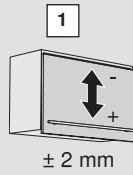
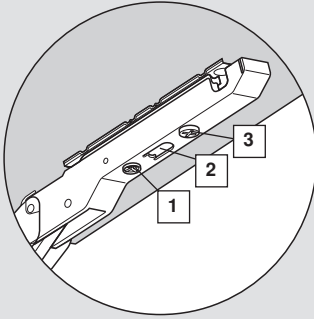
**6 Adjust the door tension**

Use a screw gun and #2 x 2 POZLI driver bit to adjust the lift mechanism to the desired tension.



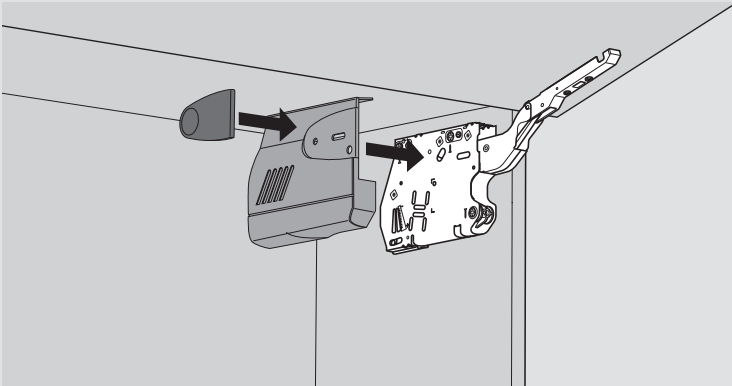
## 7 Finalize the door adjustments

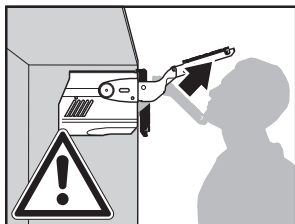
Use a POZI screwdriver to adjust cam adjustments for each of the three-dimensional adjustments.



## 8 Attach cover caps

Snap the symmetrical cover caps on each cover plate. Place the left and right cover plates over the appropriate lift mechanisms and snap them in place.





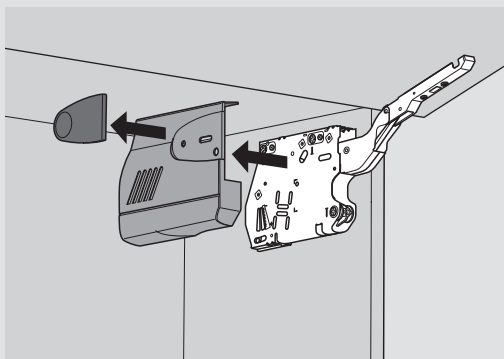
# WARNING

Risk of injury from spring-loaded arm

- Do not push arm assembly down or leave in the down position
- Remove mechanism before installing or removing cabinet

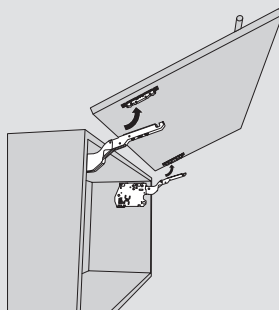
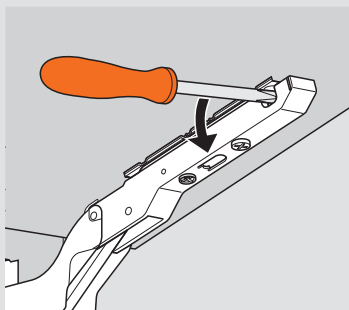
## 1 Removing the covers

Remove the cover caps and cover plate.

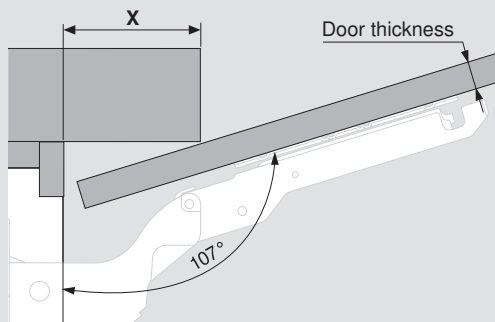


## 2 Removing the door

- Open the door. Use a screwdriver to disengage the CLIP mechanism of the lever arm from the mounting plate
- Support the door with one hand and repeat on the other side



## Panel and face frame clearance



Door thickness	<b>16</b>	<b>19</b>	<b>22</b>	<b>26</b>
X	<b>70</b>	<b>59</b>	<b>49</b>	<b>35</b>

	Inch	mm	
	1/32	.031	1
	1/16	.063	1.5
	3/32	.094	2
	1/8	.125	3
	5/32	.156	4
	3/16	.188	5
	7/32	.219	5.5
	1/4	.25	6
	9/32	.281	7
	5/16	.313	8
	11/32	.344	9
	3/8	.375	9.5
	13/32	.406	10
	7/16	.438	11
	15/32	.469	12
	1/2	.5	13
	17/32	.531	13.5
	9/16	.563	14
	19/32	.594	15
	5/8	.625	16
	21/32	.656	17
	11/16	.688	17.5
	23/32	.719	18
	3/4	.75	19
	25/32	.781	20
	13/16	.813	20.5
	27/32	.844	21
	7/8	.875	22
	29/32	.906	23
	15/16	.938	24
	31/32	.969	24.5
	1	1	25.4

Blum, Inc.  
 800-438-6788  
 sales.us@blum.com  
 blum.com